



INTERNATIONAL APPLICATION PUBLISHED UNDER THE PATENT COOPERATION TREATY (PCT)

<p>(51) International Patent Classification⁶ : A61B 17/12, A61F 2/01, 2/06</p>	<p>A1</p>	<p>(11) International Publication Number: WO 99/09895 (43) International Publication Date: 4 March 1999 (04.03.99)</p>
<p>(21) International Application Number: PCT/US98/17978 (22) International Filing Date: 27 August 1998 (27.08.98) (30) Priority Data: 08/920,526 29 August 1997 (29.08.97) US (63) Related by Continuation (CON) or Continuation-in-Part (CIP) to Earlier Application US 08/920,526 (CIP) Filed on 29 August 1997 (29.08.97) (71) Applicant (for all designated States except US): BOSTON SCIENTIFIC LIMITED [US/US]; Financial Services Centre, P.O. Box 111, Bishop's Court Hill, St. Michael (BB). (72) Inventors; and (75) Inventors/Applicants (for US only): WALLACE, Michael, P. [US/US]; 3515 Bernal Avenue, Pleasanton, CA 94566 (US). BASHIRI, Mehran [US/US]; 2010 Eaton Avenue, San Carlos, CA 94070 (US). ROUE, Chad, C. [US/US]; 5436 Windflower Drive, Livermore, CA 94550 (US). (74) Agents: REVELO, William, C. et al.; Morrison & Foerster LLP, 755 Page Mill Road, Palo Alto, CA 94304-1018 (US).</p>		<p>(81) Designated States: AL, AM, AT, AU, AZ, BA, BB, BG, BR, BY, CA, CH, CN, CU, CZ, DE, DK, EE, ES, FI, GB, GE, GH, GM, HR, HU, ID, IL, IS, JP, KE, KG, KP, KR, KZ, LC, LK, LR, LS, LT, LU, LV, MD, MG, MK, MN, MW, MX, NO, NZ, PL, PT, RO, RU, SD, SE, SG, SI, SK, SL, TJ, TM, TR, TT, UA, UG, US, UZ, VN, YU, ZW, ARIPO patent (GH, GM, KE, LS, MW, SD, SZ, UG, ZW), Eurasian patent (AM, AZ, BY, KG, KZ, MD, RU, TJ, TM), European patent (AT, BE, CH, CY, DE, DK, ES, FI, FR, GB, GR, IE, IT, LU, MC, NL, PT, SE), OAPI patent (BF, BJ, CF, CG, CI, CM, GA, GN, GW, ML, MR, NE, SN, TD, TG).</p> <p>Published With international search report. Before the expiration of the time limit for amending the claims and to be republished in the event of the receipt of amendments.</p>
<p>(54) Title: FAST-DETACHING ELECTRICALLY INSULATED IMPLANT</p>		
<p>(57) Abstract</p> <p>This is an implant for placement in the human body and an assembly for so placing that implant. Most desirably, it is an implant for use in the vasculature of the human body and is used to occlude some space in that vasculature as a portion of a treatment regimen. The implant itself is preferably a component of a deployment device using an electrolytically severable joint. The implant component is at least partially covered with a highly resistive or insulative covering. The highly resistive or insulative layer or covering appears to enhance the susceptibility of the electrolytic joint to quick erosion and thus detachment of the implant. Although the implant itself is preferably a vaso-occlusive device, it may instead be a stent, a vena cava filter, or other implant which may be installed in this manner. The implant may be independently coated with insulative or resistive material or may be formed using a material such as tantalum, which forms such an insulator or resistor <i>in situ</i>.</p>		

FOR THE PURPOSES OF INFORMATION ONLY

Codes used to identify States party to the PCT on the front pages of pamphlets publishing international applications under the PCT.

AL	Albania	ES	Spain	LS	Lesotho	SI	Slovenia
AM	Armenia	FI	Finland	LT	Lithuania	SK	Slovakia
AT	Austria	FR	France	LU	Luxembourg	SN	Senegal
AU	Australia	GA	Gabon	LV	Latvia	SZ	Swaziland
AZ	Azerbaijan	GB	United Kingdom	MC	Monaco	TD	Chad
BA	Bosnia and Herzegovina	GE	Georgia	MD	Republic of Moldova	TG	Togo
BB	Barbados	GH	Ghana	MG	Madagascar	TJ	Tajikistan
BE	Belgium	GN	Guinea	MK	The former Yugoslav Republic of Macedonia	TM	Turkmenistan
BF	Burkina Faso	GR	Greece	ML	Mali	TR	Turkey
BG	Bulgaria	HU	Hungary	MN	Mongolia	TT	Trinidad and Tobago
BJ	Benin	IE	Ireland	MR	Mauritania	UA	Ukraine
BR	Brazil	IL	Israel	MW	Malawi	UG	Uganda
BY	Belarus	IS	Iceland	MX	Mexico	US	United States of America
CA	Canada	IT	Italy	NE	Niger	UZ	Uzbekistan
CF	Central African Republic	JP	Japan	NL	Netherlands	VN	Viet Nam
CG	Congo	KE	Kenya	NO	Norway	YU	Yugoslavia
CH	Switzerland	KG	Kyrgyzstan	NZ	New Zealand	ZW	Zimbabwe
CI	Côte d'Ivoire	KP	Democratic People's Republic of Korea	PL	Poland		
CM	Cameroon	KR	Republic of Korea	PT	Portugal		
CN	China	KZ	Kazakstan	RO	Romania		
CU	Cuba	LC	Saint Lucia	RU	Russian Federation		
CZ	Czech Republic	LI	Liechtenstein	SD	Sudan		
DE	Germany	LK	Sri Lanka	SE	Sweden		
DK	Denmark	LR	Liberia	SG	Singapore		
EE	Estonia						

FAST-DETACHING ELECTRICALLY INSULATED IMPLANT

FIELD OF INVENTION

5 This invention is an implant for placement in the human body and an assembly for so placing that implant. Most desirably, it is an implant for use in the vasculature of the human body and is used to occlude some space in that vasculature as a portion of a treatment regimen. The implant itself is preferably a component of a deployment device using an electrolytically severable joint. The implant component is at least partially covered with a highly resistive or insulative covering. The highly resistive or insulative layer or covering appears to enhance the susceptibility of the electrolytic joint to quick erosion and thus detachment of the implant. Although the implant itself is preferably a vaso-occlusive device, it may instead be a stent, a vena cava filter, or other implant which may be installed in this manner. The implant may be independently coated with insulative or resistive material or may be formed using a material with such as tantalum, which forms such an insulator or resistor *in situ*.

10

15

BACKGROUND OF THE INVENTION

Implants may be placed in the human body for a wide variety of reasons. For instance, stents are placed in a number of different lumens in the body. They may be placed in arteries to cover vascular lesions or to provide patency to the vessel. Stents are also placed in biliary ducts to prevent them from kinking or collapsing. Grafts may be used with stents to promote growth of endothelial tissue within those vessels.

20

Vena cava filters are implanted in the body, typically in the vena cava, to catch thrombus which are sloughed off from other sites within the body and which may be in the blood passing through the chosen site.

25

Vaso-occlusive devices or implants are used for a wide variety of reasons. They are often used for treatment of intra-vascular aneurysms. This is to say that the treatment involves the placement of a vaso-occlusive device in an aneurysm to cause the formation of a clot and eventually of a collagenous mass containing the vaso-occlusive device. These occlusions seal and fill the aneurysm thereby preventing the weakened wall of the aneurysm from being exposed to the pulsing blood pressure of the open vascular lumen.

30

Treatment of aneurysms in this fashion is significant improvement over the surgical method typically involved. The surgical or extravascular approach is a common treatment of intra-cranial berry aneurysm; it is straightforward but fairly traumatic. The method involves removing of portion of the cranium and locating the aneurysm. The neck of the aneurysm is closed typically by applying a specially sized clip to the neck of the aneurysm. The surgeon may choose to perform a suture ligation of the neck or wrap the entire aneurysm. Each of these procedures is performed by an very intrusive invasion into the body and is performed from the outside of the aneurysm or target site. General anesthesia, craniotomy, brain retraction, and a placement of clip around the neck of the aneurysm all are traumatic. The surgical procedure is often delayed while waiting for the patient to stabilize medically. For this reason, many patients die from the underlying disease prior to the initiation of the surgical procedure.

Another procedure -- the extra - intravascular approach -- involves surgically exposing or stereotaxically reaching an aneurysm with a probe. The wall of the aneurysm is perforated from the outside and various techniques are used to occlude the interior of the aneurysm to prevent its rebleeding. The techniques used to occlude the aneurysm include electro-thrombosis, adhesive embolization, hoghair embolization, and ferromagnetic thrombosis. These procedures are discussed in U.S. Patent No. 5,122,136 to Guglielmi et al., the entirety of which is incorporated by reference.

Guglielmi et al. further describes an endovascular procedure which is at once the most elegant and least invasive. The procedure described in that patent includes a step in which the interior of the aneurysm is entered by the use of guidewire such as those in Engelson, U.S. Patent No. 4,884,579 and a catheter as in Engelson, U.S. Patent No. 4,739,768. These patents described devices utilizing guidewires and catheters which allow access to aneurysms from remote parts of the body. Typically, these catheters enter the vasculature through an artery in the groin. The Guglielmi et al system uses catheters and guidewires which have a very flexible distal regions and supporting midsections which allow the combinations to be steerable to the region of the aneurysm. That is to say that the guidewire is first steered for a portion of the route to the aneurysm and the catheter is slid up over that guidewire until it reaches a point near the distal end of the guidewire. By steps, the catheter and guidewire are then placed at the mouth of the aneurysm. The

catheter is introduced into the aneurysm and vaso-occlusive or embolism-forming devices may be delivered through the lumen.

5 Various vaso-occlusive devices are introduced through the noted microcatheters to close the aneurysm site. In some instances, a small balloon may be introduced into the aneurysm where it is inflated, detached, and left to occlude the aneurysm. Balloons are becoming less in favor because of the difficulty in introducing the balloon into the aneurysm sac, the possibility of aneurysm rupture due to over-inflation of the balloon within the aneurysm, and the inherent risk associated with the traction produced when detaching the balloon.

10 Another desirable embolism-forming device which may be introduced into aneurysm using end of vascular placement procedure is found in U.S. Patent No. 4,994,069 to Ritchart et al. In that patent are described various devices — typically platinum/tungsten alloy coils having very small diameters — which may be introduced into the aneurysm through a catheter such as those described in the Engelson patents above. These coils are often made of wire having a diameter of 2-6 mils. The coil diameter is often 10-30 mils. 15 These soft, flexible coils, may be of any length desirable and appropriate for the site to be occluded. After these vaso-occlusive coils are placed in, e.g., a berry aneurysm, they first cause a formation of an embolic mass. This initial mass is shortly thereafter complemented with a collagenous material which significantly lessens the potential for aneurysm rupture.

20 There are variety of other vaso-occlusive devices, typically coils which may be delivered to the vascular site in a variety of ways, e.g., by mechanically detaching them from the delivery device. A significant number of these devices are described in patents owned by Target Therapeutics, Inc. For instance:

25 U.S. Patent No. 5,234,437, to Sepetka shows a method of unscrewing a helically wound coil from a pusher having interlocking surfaces.

U.S. Patent No. 5,250,071, to Palermo shows an embolic coil assembly using interlocking clasps both on the pusher and on the embolic coil.

U.S. Patent No. 5,261,916, to Engelson shows a combination pusher/vaso-occlusive coil assembly joined by an interlocking ball and keyway type coupling.

30 U.S. Patent No. 5,304,195, to Twyford et al., shows a pusher/vaso-occlusive coil assembly having a fixed proximally extending wire carrying a ball on its proximal end and

a pusher having a similar end which two tips are interlocked and disengaged when expelled from the distal tip of the catheter.

U.S. Patent No. 5,312,415, to Palermo shows a method for discharging numerous coils from a single pusher by using a guidewire which has a section capable of
5 interconnecting with the interior of a helically wound coil.

U.S. Patent No. 5,350,397, to Palermo et al. shows a pusher having a throat at its distal end and a pusher through its axis. The pusher throat holds onto the end of an embolic coil and releases that coil upon pushing the axially placed pusher wire against member found on the proximal end of the vaso-occlusive coil.

10 Other mechanically detachable embolism forming devices are known in the art. Each of the patents listed herein is specifically incorporated by reference.

Guglielmi et al. shows an embolism forming device and procedure for using that device which, instead of a mechanical joint, uses an electrolytically severable joint. Specifically, Guglielmi et al. desirably places a finely wound platinum coil into a vascular
15 cavity such as an aneurysm. The coil is delivered endovascularly using a catheter such as those described above. After placement in the aneurysm, the coil is severed from its insertion core wire by the application of a small electric current to that core wire. The deliverable coils are said to be made of a platinum material. They may be 1-50 cm or longer as is necessary. Proximal of the embolic coil, as noted above, is a core wire which
20 is typically stainless steel. The core wire is used to push the platinum embolic coil into vascular site to be occluded.

Other variations of the Guglielmi et al. technology are found in U.S. Patent No. 5,354,295.

25 None of the references described above teaches or suggest an implant having a highly resistive or insulative layer on at least a portion of its exterior surface which is flexibly attached to an electrolytically severable delivery joint.

SUMMARY OF THE INVENTION

30 This invention is an implant which is at least partially coated with an insulative material. The implant may be a vaso-occlusive device, stent, vena cava filter, or any other implant which may be delivered via a catheter. Desirably, the device includes a core wire

having a distal tip, which distal tip may be introduced into the selected site. The core wire is attached to the distal tip or implant in such a way that it may be electrolytically detached by application of a current to the core wire.

The improvement involves the use of an insulative or highly resistive covering on at least a portion of the implant. The resistive covering is preferably one which is formed *in situ* from the material making up the implant. This insulative or highly resistive layer appears to focus the current flow through the sacrificial electrolytic joint and thereby improves the rate at which detachment occurs.

BRIEF DESCRIPTION OF THE DRAWINGS

Figure 1 shows the overall layout of a delivery system showing the typical major parts for delivering an implant using the improvement of this invention.

Figure 2 shows a partial close up of a variation of the invention.

Figures 3A, 3B, and 3C show, respectively, cross sections depicting various manners of coating implants made according to this invention.

Figure 4 shows a partial cross section of an electrolytic joint and a vaso-occlusive braid all made according to this invention.

Figures 5 and 6 show helically wound vaso-occlusive coils having secondary shapes which may be deployed using the procedures described herein.

Figure 7 shows a stent implant using the improvements of this invention.

Figure 8 shows a vena cava filter which may be deployed using the improvements of this invention.

Figures 9A and 9B show, in schematic form, a procedure for deploying the inventive vaso-occlusive device of this invention.

DESCRIPTION OF THE INVENTION

As noted above, the Guglielmi et al system for deploying an implant into the human body uses a core wire, an electrolytic sacrificial joint, and the implant to be deployed. A power supply is needed to provide power for electrolysis of the joint. The core wire is typically insulated on its outer surface from near the proximal end of the wire to the electrolytic sacrificial joint. The implant typically forms a portion of the circuit through

the body. This invention substantially removes the implant itself from that circuit thereby apparently focusing the current flow at the electrolytic joint where it is needed.

Figure 1 shows a system for introducing and deploying the implant made according to the invention. The system (100) includes a catheter (102) which is made up of elongate tubular member, typically made from a polymeric material and often reinforced to provide strength or obviate kinking propensities with a coil or braid. Catheter (102) is shown with a pair of radio-opaque markers (106). The radio-opaque markers (106) allow visualization of the distal end (104) of the catheter so to compare it with the coincidence of the implant (114). Catheter (102) is also shown with a proximal fitting (108) for introduction of dyes or treatment materials. Within the lumen of catheter (102) is a core wire (110) extending both proximally of catheter (102) and distally. On the distal end of core wire (110) may be seen the electrolytic joint (112) and the implant (114). In this instance, implant (114) is a helically wound vaso-occlusive coil. Generally, all of core wire (110) is electrically insulated from a point near the proximal end of core wire (110) continuously to electrolytically severable joint (112). Electrolytically severable joint (112) is bare and is relatively more susceptible to electrolysis in an ionic solution such as blood or most other bodily fluids than is the implant (114).

The most proximal end of core wire (110) is also left bare so that power supply (116) may be attached. The other pole of the power supply (116) is typically attached to a patch (118). The patch (118) is placed on the skin to complete the circuit from the power supply (116), through the core wire (110), through electrolytic joint (112), through the ionic solution in the body, and back to a patch (118) to the power supply (116). Other return routes may be used as the designer sees fit.

Figure 2 shows a close-up of the more distal portion of the core wire (110) and the attached implant (120). Typically, core wire (110) will be conductive but covered with a insulative layer both proximal and distal of electrolytically severable joint (112). The interior of core wire (110) is typically electrically and physically attached to implant (120). In this variation of the invention, implant (120) is shown to be a helically wound coil (130) with an end (132) and having a stretch-resisting member (134) through its center lumen. The anti-stretch member (134) may be of any suitable material, e.g., metallic wire or polymeric threads. Preferred are polymeric threads of polypropylene or

polyethyleneterephthalate, although almost any polymeric material which is formable into a fiber is quite suitable. The stretch resisting member is simply designed to prevent the coil (130) from stretching in the event that core wire (110) must be withdrawn or repositioned to change the position of the implant (120).

5 The coil making up this variation of the invention is generally of a diameter in the range of 0.00025 inches and 0.006 inches. Wire of such diameter is wound into a primary form having a diameter of between 0.003 and 0.025 inches. For most neurovascular indications, the preferable primary coil diameter is preferably between 0.008 and 0.018 inches.

10 The axial length of the primary coil will usually fall in the range of 0.5 to 100 cm, more usually 2.0 to 40 cm. Depending upon usage, the coil may well have 10-75 turns per centimeter, preferably 10-40 turns per centimeter. All of the dimensions here are provided only as guidelines and are not critical to the invention. However, only dimensions suitable for use in occluding sites within the human body are included in the
15 scope of this invention.

 Central to this invention is the provision of a highly resistive or insulative layer or covering on at least a portion of implant (120). Without wishing to be bound by theory, it is believed that the covering on implant (120) prevents or lessens current flow through the implant (120) itself and concentrates the current flow through the electrolytic joint (112).
20 Preferably, implant (120) has at least 95% of its surface area covered with the layer. The layer, which will be discussed in more detail below, should not be of a type which interferes with the formation of the occlusion, when the implant is an occlusion device. It similarly should not interfere with the other functions inherent with this specific type of implant placed distally of the electrolytically severable joint (112). That is to say that, for
25 instance, the insulative layer should not interfere with the function of a stent by, e.g., being thrombogenic.

 Figures 3A, 3B, and 3C show partial cross sections of the element making up the implant (140) made according to this invention. Figure 3A shows implant (140) having a core (142) and a resistive or insulative cover (144). In this variation, the core (142) may be
30 of an oxide-forming material. A "oxide forming material" is one which, under the imposition of an electrical current will form an oxide skin (144), particularly in an ionic

medium such as saline solution, blood, or other bodily fluids. One such material is the metal tantalum and certain of its alloys. In this instance, the device such as shown in Figure 1 and Figure 2 may be introduced into the body without an oxide or insulative layer. The insulative layer will form *in situ* upon application of a current. This is the preferred embodiment of the invention. This insulative layer, once formed, prevents current flow from the interior core (142) into the ionic medium surrounding the implant (140) once layer (144) has been formed.

The implant may be made of other insulation-forming materials or oxide forming materials including metals such as zirconium, its alloys, and related materials which form or may be made to form exterior resistive layers by, e.g., nitriding, or the like, preferably but not necessarily *in situ*.

Although the core (142) may be completely made of a insulation forming material as is shown in Figure 3B, the core wire (146) may be of another material, e.g., platinum or the like. A covering of an oxide or insulative forming material (148) such as tantalum or a zirconium may be plated or sputtered onto the core (146). As was the case with the variation shown in Figure 3A, the insulative forming layer (148) will form an insulation layer (150) preferably upon application of a suitable electric current *in situ* but not necessarily so.

Figure 3C shows still another variation of the inventive device in which core (152) is simply covered with an insulative material (154), which insulative material (154) is preferably inorganic in nature. For instance, to utilize an implant made of a conductive material such as stainless steel or gold and prevent or substantially lessen the flow of electrical current from the implant (140) into the surrounding ionic medium, an inorganic covering may be applied to the exterior surface. The difference between the covering (154) found in Figure 3C and the exterior coverings found in Figures 3A and 3B (144, 150) is that the former coverings are capable of being formed *in situ* while the latter covering in Figure 3C is not.

Although the preferred variation of the invention is that found in Figure 2 wherein a helical coil constructed of tantalum is fixably attached distally of electrolytically severable joint (112), other forms of implants are suitable. For instance, Figure 4 shows another variation of the inventive device (160) in which the implant is a vaso-occlusive braid (162),

either woven or unwoven. The electrolytically severable joint (164) is shown to be located proximally of vaso-occlusive braid (162). In this variation, the core wire (166) is insulated with a tubular member (168) and a bushing (170). A stabilizing coil (172) is also depicted on the distal end of core wire (166). Bushing (170) and covering (168) serve to electrically insulate core wire (166) from the surrounding ionic fluid. These coverings along with those found on vaso-occlusive woven braid (162) are considered to focus the electrolysis process on the electrolytically severable joint (164).

When the implant is a vaso-occlusive device, the shape of the device may be any of a number of suitable overall shapes to promote occlusion of the selected interior body space. In particular, when the implant is a helical coil, many shapes are known for treatment of particular abnormalities. Figures 5 and 6 show useful devices for treatment of arterio-venous malformations (AVM) and aneurysms. Specifically, Figure 5 shows a vaso-occlusive coil which has a secondary conical shape. A "secondary" shape is meant to include any form in which a wire is first formed into a first helical form and that first helical form is wound into a second form, possibly helical. As was noted above, vaso-occlusive devices are introduced through a catheter. Pushing the vaso-occlusive device through the catheter uses that first linear configuration which approximates the shape of the interior of the catheter. Secondary shapes, such as shown in Figures 5 and 6, are formed when the vaso-occlusive device is allowed to exit the distal end of the catheter. The secondary shape of the vaso-occlusive device (180) shown in Figure 5 is, as noted just above, conical in form.

Figure 6 shows a variation (182) of the inventive device in which two sections of the catheter have different secondary diameters.

Each of the vaso-occlusive devices described herein may also have attached fibrous materials to increase thrombogenicity.

Figure 7 shows a variation (190) of the inventive device in which the implant is a stent (192). Core (194) is also shown with an electrolytically erodable joint (196).

The stent shown in Figure 7 is a variation of a self expanding stent typically made of a super-elastic alloy material, typically a nickel-titanium alloy (e.g., nitinol), that is well known in the art. The device is shown to have a zig-zag pattern of a metallic wire which is maintained in the noted and secondary form by a filament (198) which is woven through

the bends of the stent to maintain the secondary shape. The primary shape is simply the shape shown but with a significantly lower diameter. The form of the stent is not important to the invention but is only illustrative of the form an implant may take.

5 Figure 8 shows the expanded form of an implant (200) which may be used as a vena cava filter. Vena cava filters are well known in the art and are used to prevent the flow of blood clots distally in the vasculature. These blood clots would eventually be the site of occlusive strokes in the brain if allowed to travel distally. In any event, implant (200) shows the vena cava filter member (202), the electrolytically severable joint (204) and the push wire or core wire (206).

10 Figures 9A and 9B show placement of the inventive devices, specifically the vaso-occlusive variations of the invention, within the human body. Figure 9A shows the placement within a vessel (200) with a tip of catheter (202) placed near aneurysm neck (204). The aneurysm itself is nominated (206). Vaso-occlusive device (208) is fed into aneurysm (206) at least until the sacrificial link (210) (hidden within catheter (202) at this step) is exposed beyond the distal tip of catheter (202). A positive electric current of approximately 0.01-2 milliamps at 0.1-6 volts is applied to core wire (212). Thrombus is then formed within aneurysm (206). The negative pole (214) of power supply (216) is typically placed in electrical contact with the skin so to complete the circuit.

15 After the thrombus has been formed and the aneurysm occluded, vaso-occlusive device (208) is detached from core wire (212) by electrolytic disintegration of sacrificial link (210).

20 After sacrificial link (210) is at least mostly dissolved by electrolytic action, typically in less than two minutes and most often in less than one minute, the core wire (212) and catheter (202) are removed from vessel (200) leaving aneurysm (206) occluded as shown in Figure 9B.

25 This procedure is practiced under fluoroscopic control either with general or local anesthesia. A transfemoral catheter is typically used to treat cerebral aneurysms and is usually introduced at the groin. When the vaso-occlusive device (208) is insulated or covered with a highly resistive material as is contemplated this invention, it is not affected by electrolysis. When the core wire (212) and the pertinent portions of the supporting coils
30 at the distal tip of the core wire (when utilized) are adequately coated with insulating

coverings, only the exposed portion of the sacrificial link (210) is affected by the electrolysis.

5 Many alterations and modifications may be made by those having ordinary skill in this art without departing from the spirit and scope of the invention. The illustrative embodiments have been used only for the purposes of clarity and should not be taken as limiting the invention as defined by the following claims.

CLAIMS

5 1. An implant for placement in the human body comprising an implant member of a size and configuration suitable for implantation in the human body and having a proximal end and a distal end and having a core at least partially covered with an inorganic insulative covering.

10 2. The implant of claim 1 further comprising an electrolytically severable joint attached to said implant member proximal end, said electrolytically severable joint being relatively more susceptible to electrolysis in an ionic solution than is said implant member.

3. The implant of claim 1 wherein said implant member at least partially comprises an oxide-forming material.

15 4. The implant of claim 2 wherein said implant member at least partially comprises an oxide forming material.

5. The implant of claim 1 wherein said implant member comprises a core at least partially covered by a oxide-forming member.

20 6. The implant of claim 2 wherein said implant member comprises a core at least partially covered by an oxide-forming material.

7. The implant of claim 1 wherein the implant member is a stent.

25 8. The implant of claim 1 wherein the implant member comprises a vena cava filter.

30 9. The implant of claim 1 wherein the implant member comprises a helically wound coil having a proximal end and a distal end.

10. The implant of claim 9 wherein the helically wound coil implant member further comprises a stretch resistant member extending at least partially from said proximal end to said distal end.

5 11. The implant of claim 10 wherein the stretch resistant member comprises polypropylene.

12. The implant member of claim 1 wherein the implant member comprises a braid.

10 13. A vaso-occlusive device for occluding a space within a human body comprising a tantalum occluding member at least partially covered with tantalum oxide.

15 14. The vaso-occlusive device of claim 13 wherein said tantalum occluding member has a proximal end and a distal end and further comprising an electrolytically severable joint attached to said tantalum occluding member proximal end, said electrolytically severable joint being relatively more susceptible to electrolysis in an ionic solution than is said tantalum occluding member.

20 15. The vaso-occlusive device of claim 13 wherein the tantalum occluding member is a coil.

16. The vaso-occlusive device of claim 14 wherein the tantalum occluding member is a coil.

25 17. The vaso-occlusive device of claim 13 wherein the tantalum occluding member is a braid.

30 18. The vaso-occlusive device of claim 14 wherein the tantalum occluding member is a braid.

19. The vaso-occlusive device of claim 15 herein the helically wound coil implant member has a proximal end and a distal end and further comprises a stretch resistant member extending at least partially from said proximal end to said distal end.

5 20. The vaso-occlusive device of claim 19 wherein the stretch resistant member comprises polypropylene.

21. The vaso-occlusive device of claim 16 herein the helically wound coil implant member has a proximal end and a distal end and further comprises a stretch resistant member extending at least partially from said proximal end to said distal end.

10

22. The vaso-occlusive device of claim 21 wherein the stretch resistant member comprises polypropylene.

15 23. A vaso-occlusive device for occluding a space within the human body comprising:

(a.) a tantalum occluding member having a proximal end and a distal end,
and

(b.) an electrolytically severable joint attached to said tantalum occluding member proximal end, said electrolytically severable joint being relatively more susceptible to electrolysis in an ionic solution and is said tantalum occluding member.

20

24. The vaso-occlusive device of claim 23 wherein the tantalum occluding member is a helically wound coil.

25

25. The vaso-occlusive device of claim 23 wherein the tantalum occluding member is a braid.

2/5

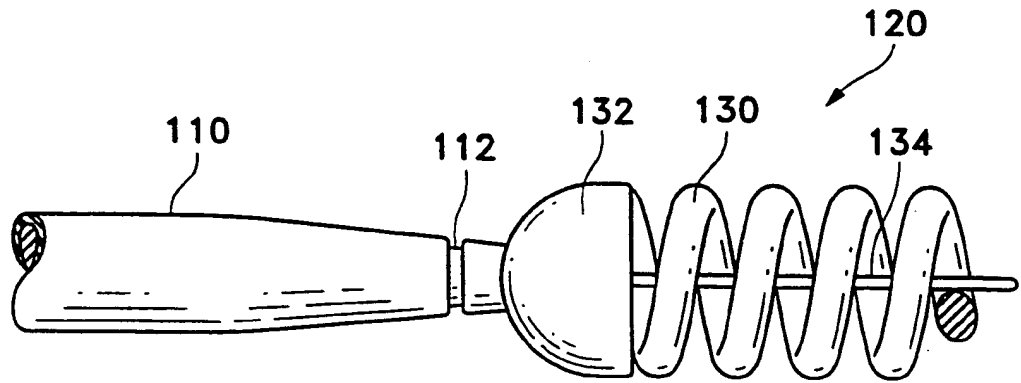


Fig. 2

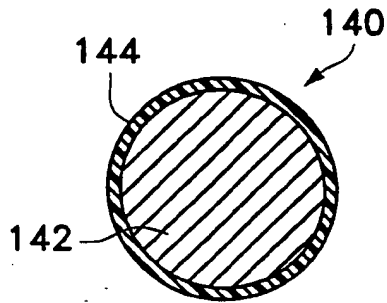


Fig. 3A

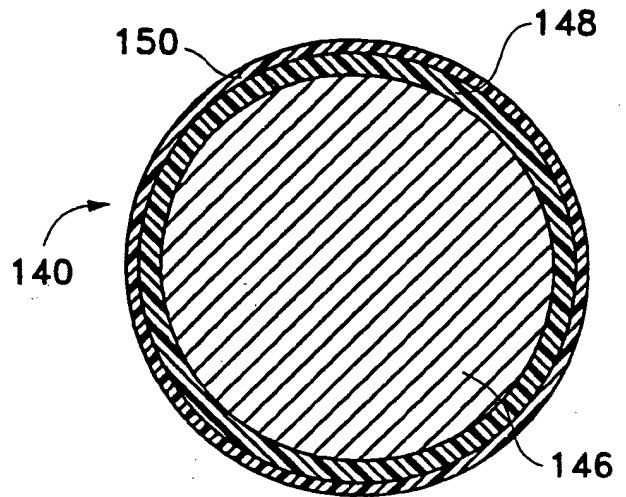


Fig. 3B

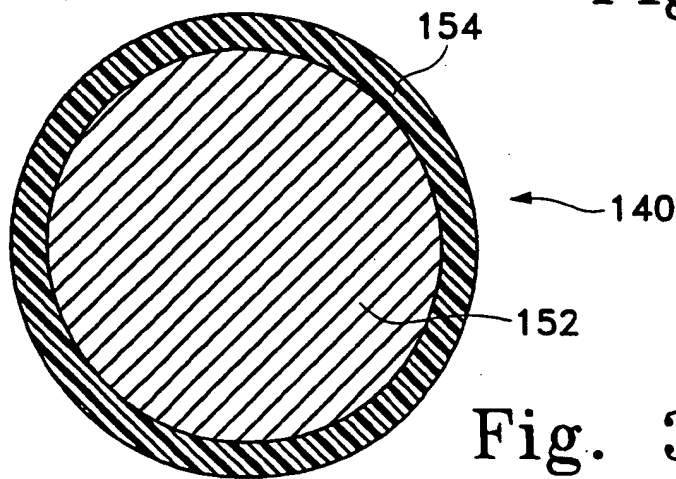


Fig. 3C

3/5

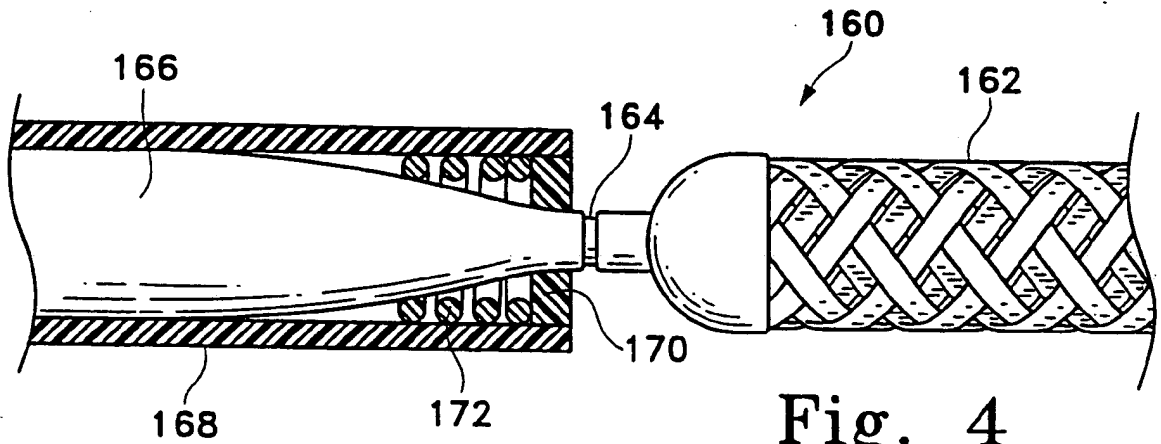


Fig. 4

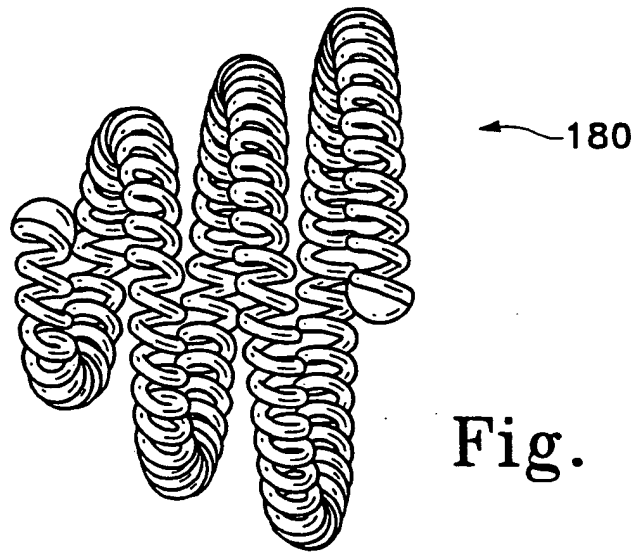


Fig. 5

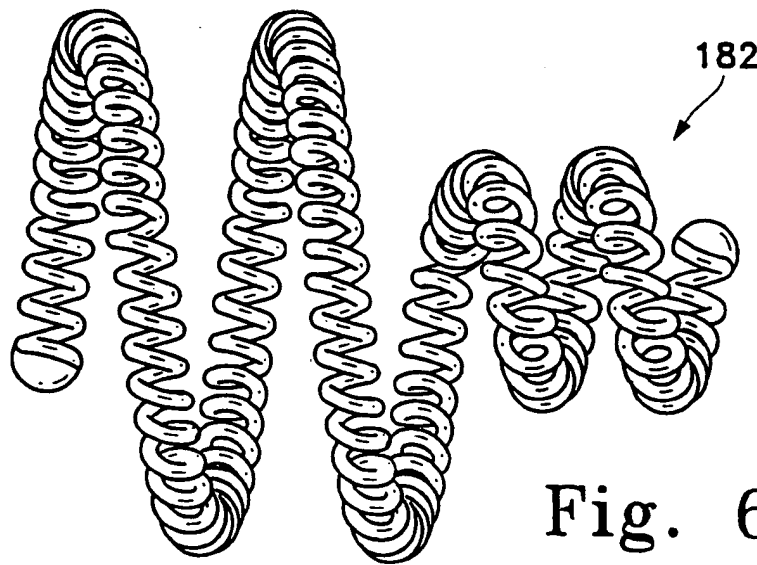


Fig. 6

4/5

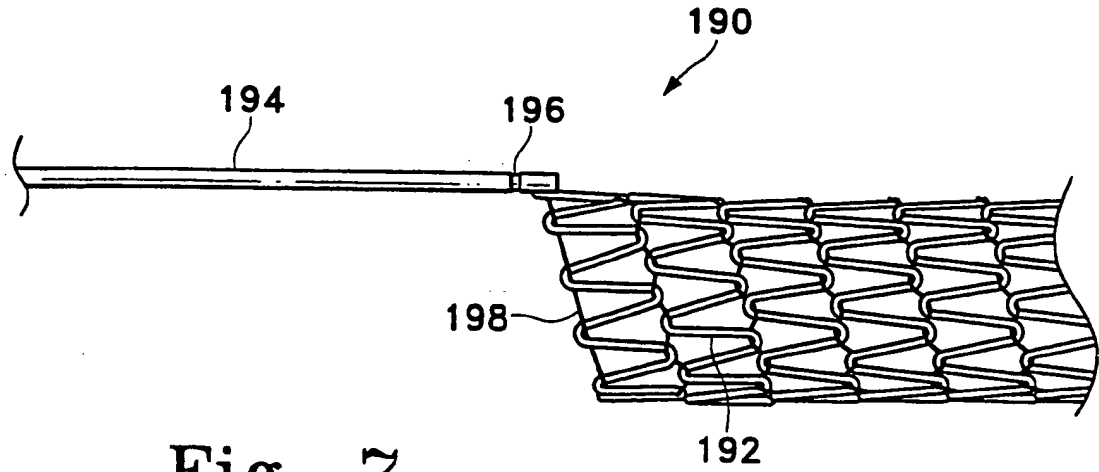


Fig. 7

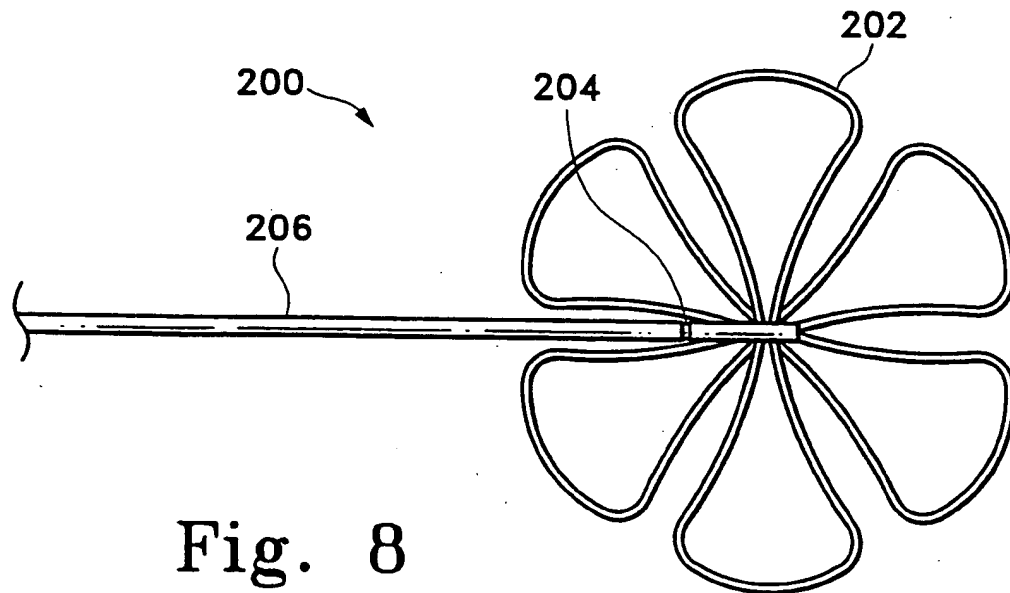


Fig. 8

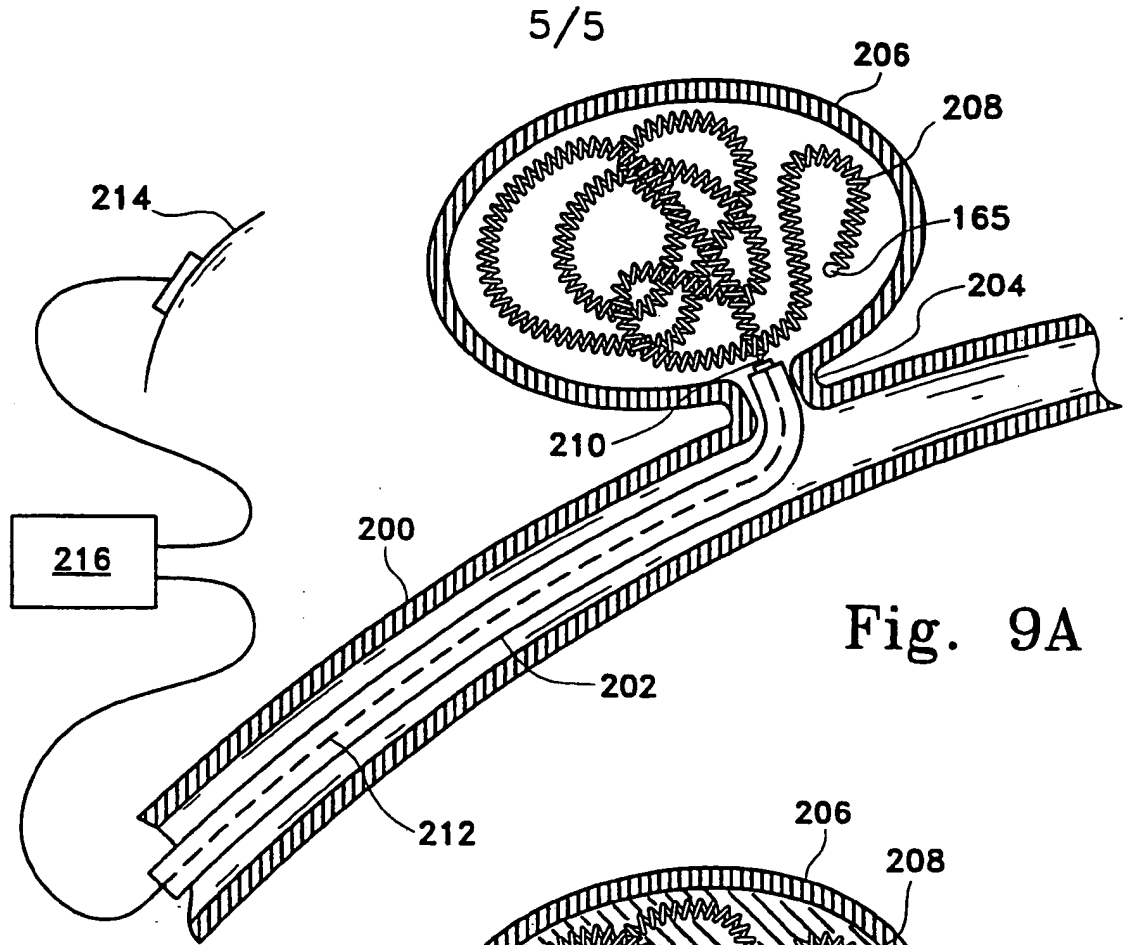


Fig. 9A

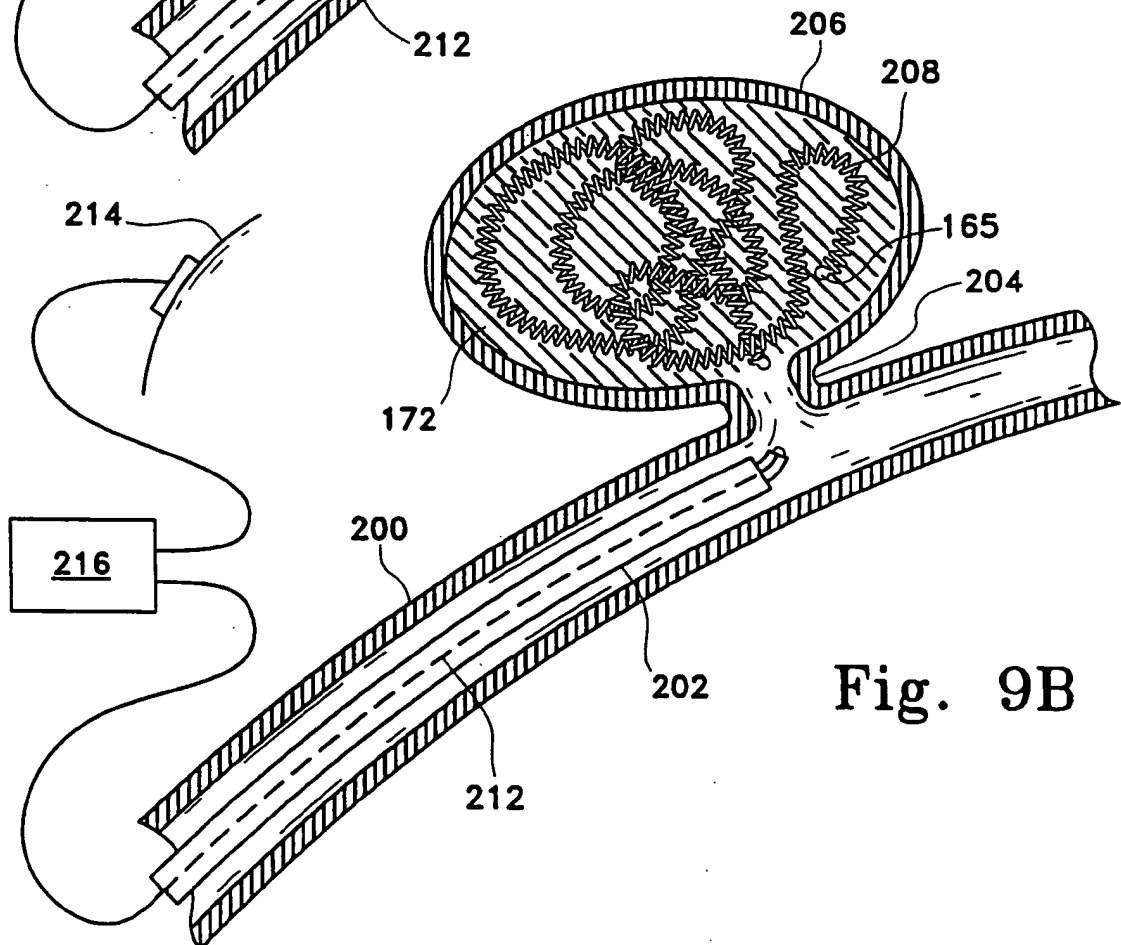


Fig. 9B

INTERNATIONAL SEARCH REPORT

National Application No
PCT/US 98/17978

A. CLASSIFICATION OF SUBJECT MATTER IPC 6 A61B17/12 A61F2/01 A61F2/06		
According to International Patent Classification (IPC) or to both national classification and IPC		
B. FIELDS SEARCHED		
Minimum documentation searched (classification system followed by classification symbols) IPC 6 A61B A61F		
Documentation searched other than minimum documentation to the extent that such documents are included in the fields searched		
Electronic data base consulted during the international search (name of data base and, where practical, search terms used)		
C. DOCUMENTS CONSIDERED TO BE RELEVANT		
Category	Citation of document, with indication, where appropriate, of the relevant passages	Relevant to claim No.
P, X	EP 0 826 342 A (TARGET THERAPEUTICS INC) 4 March 1998 see column 7, line 30 - column 8, line 27; figure 2 ---	1,2,9-12
X	US 5 540 680 A (GUGLIELMI GUIDO ET AL) 30 July 1996 see column 11, line 9 - line 20; figure 6 ---	1,2,9,10
A	---	13,23
X	JP 07 265431 A (KANEKA MEDICS:KK) 17 October 1995	1,2
P, X	-& US 5 759 161 A (OGAWA ET AL) 2 June 1998 see column 4, line 11 - line 24; figure 1 ---	1,2
-/--		
<input checked="" type="checkbox"/> Further documents are listed in the continuation of box C.		
<input checked="" type="checkbox"/> Patent family members are listed in annex.		
* Special categories of cited documents :		
"A" document defining the general state of the art which is not considered to be of particular relevance	"T" later document published after the international filing date or priority date and not in conflict with the application but cited to understand the principle or theory underlying the invention	
"E" earlier document but published on or after the international filing date	"X" document of particular relevance; the claimed invention cannot be considered novel or cannot be considered to involve an inventive step when the document is taken alone	
"L" document which may throw doubts on priority claim(s) or which is cited to establish the publication date of another citation or other special reason (as specified)	"Y" document of particular relevance; the claimed invention cannot be considered to involve an inventive step when the document is combined with one or more other such documents, such combination being obvious to a person skilled in the art.	
"O" document referring to an oral disclosure, use, exhibition or other means	"&" document member of the same patent family	
"P" document published prior to the international filing date but later than the priority date claimed		
Date of the actual completion of the international search <p style="text-align: center;">14 December 1998</p>	Date of mailing of the international search report <p style="text-align: center;">18/12/1998</p>	
Name and mailing address of the ISA European Patent Office, P.B. 5818 Patentlaan 2 NL - 2280 HV Rijswijk Tel. (+31-70) 340-2040, Tx. 31 651 epo nl, Fax: (+31-70) 340-3016	Authorized officer <p style="text-align: center;">Hansen, S</p>	

INTERNATIONAL SEARCH REPORT

 tional Application No
 PCT/US 98/17978

C.(Continuation) DOCUMENTS CONSIDERED TO BE RELEVANT		
Category	Citation of document, with indication, where appropriate, of the relevant passages	Relevant to claim No.
X	US 4 945 342 A (STEINEMANN SAMUEL G) 31 July 1990	1,3-6
A	see abstract see column 8, line 19 - line 31; figure 2 ---	13,23
X	US 4 010 759 A (BOER GERARD B M) 8 March 1977	1,3-6
A	see abstract; figure 1 ---	13,23
A	EP 0 719 522 A (TARGET THERAPEUTICS INC) 3 July 1996 see column 7, line 18 - column 8, line 4; figures 6,7 ---	1,7-13, 23
A	US 5 582 619 A (KEN CHRISTOPHER G M) 10 December 1996 see abstract; figure 3 ---	1,2, 9-13,23
A	US 5 354 295 A (GUGLIELMI GUIDO ET AL) 11 October 1994 cited in the application see abstract; figure 1 ---	1,13,23
A	US 5 122 136 A (GUGLIELMI GUIDO ET AL) 16 June 1992 cited in the application see abstract; figure 1 -----	1,13,23

INTERNATIONAL SEARCH REPORT

Information on patent family members

International Application No
PCT/US 98/17978

Patent document cited in search report	A	Publication date	Patent family member(s)	Publication date			
EP 0826342	A	04-03-1998	AU 694903	B 30-07-1998			
			AU 3423697	A 05-03-1998			
			CA 2214168	A 28-02-1998			
			JP 10085224	A 07-04-1998			
			NO 973973	A 02-03-1998			
US 5540680	A	30-07-1996	US 5354295	A 11-10-1994			
			US 5122136	A 16-06-1992			
			US 5569245	A 29-10-1996			
			AT 167617	T 15-07-1998			
			AU 673502	B 14-11-1996			
			AU 2801692	A 13-09-1993			
			CA 2120779	A 02-09-1993			
			DE 69226024	D 30-07-1998			
			EP 0629125	A 21-12-1994			
			EP 0803230	A 29-10-1997			
			EP 0804906	A 05-11-1997			
			FI 941937	A 06-06-1994			
			JP 7503165	T 06-04-1995			
			NO 943106	A 23-08-1994			
			PT 101162	A 31-05-1994			
			WO 9316650	A 02-09-1993			
			AU 636217	B 22-04-1993			
			AU 7447491	A 10-10-1991			
			CA 2055492	A 14-09-1991			
			DE 484468	T 04-01-1996			
			DE 804904	T 09-04-1998			
			EP 0484468	A 13-05-1992			
			EP 0800790	A 15-10-1997			
			EP 0804904	A 05-11-1997			
			EP 0804905	A 05-11-1997			
			ES 2074406	T 16-09-1995			
			GR 98300008	T 31-03-1998			
			HU 68240	A 28-06-1995			
			JP 2501389	B 29-05-1996			
			JP 5500322	T 28-01-1993			
			WO 9113592	A 19-09-1994			
			JP 07265431	A	17-10-1995	US 5759161	A 02-06-1998
US 4945342	A	31-07-1990	DK 572488	A 17-04-1989			
			EP 0312495	A 19-04-1989			
			FI 884742	A 17-04-1989			
			JP 1135365	A 29-05-1989			
US 4010759	A	08-03-1977	DE 2638563	A 17-03-1977			
			GB 1562915	A 19-03-1980			
			NL 7608731	A 02-03-1977			
EP 0719522	A	03-07-1996	AT 172371	T 15-11-1998			
			AU 4077496	A 11-07-1996			
			CA 2166142	A 01-07-1996			
			DE 69505489	D 26-11-1998			
			EP 0861634	A 02-09-1998			
			JP 2641715	B 20-08-1997			
			JP 8252323	A 01-10-1996			
US 5582619	A	10-12-1996	AU 679409	B 26-06-1997			

INTERNATIONAL SEARCH REPORT

Information on patent family members

International Application No

PCT/US 98/17978

Patent document cited in search report	Publication date	Patent family member(s)	Publication date
US 5582619 A		AU 5626496 A	16-01-1997
		CA 2180370 A	31-12-1996
		EP 0754435 A	22-01-1997
		JP 9108229 A	28-04-1997
		NO 962761 A	02-01-1997
		US 5833705 A	10-11-1998
US 5354295 A	11-10-1994	US 5122136 A	16-06-1992
		AT 167617 T	15-07-1998
		AU 673502 B	14-11-1996
		AU 2801692 A	13-09-1993
		CA 2120779 A	02-09-1993
		DE 69226024 D	30-07-1998
		EP 0629125 A	21-12-1994
		EP 0803230 A	29-10-1997
		EP 0804906 A	05-11-1997
		FI 941937 A	06-06-1994
		JP 7503165 T	06-04-1995
		NO 943106 A	23-08-1994
		PT 101162 A	31-05-1994
		WO 9316650 A	02-09-1993
		US 5540680 A	30-07-1996
		US 5569245 A	29-10-1996
		AU 636217 B	22-04-1993
		AU 7447491 A	10-10-1991
		CA 2055492 A	14-09-1991
		DE 484468 T	04-01-1996
		DE 804904 T	09-04-1998
		EP 0484468 A	13-05-1992
		EP 0800790 A	15-10-1997
		EP 0804904 A	05-11-1997
		EP 0804905 A	05-11-1997
		ES 2074406 T	16-09-1995
		GR 98300008 T	31-03-1998
		HU 68240 A	28-06-1995
		JP 2501389 B	29-05-1996
		JP 5500322 T	28-01-1993
		WO 9113592 A	19-09-1991
US 5122136 A	16-06-1992	AU 636217 B	22-04-1993
		AU 7447491 A	10-10-1991
		CA 2055492 A	14-09-1991
		DE 484468 T	04-01-1996
		DE 804904 T	09-04-1998
		EP 0484468 A	13-05-1992
		EP 0800790 A	15-10-1997
		EP 0804904 A	05-11-1997
		EP 0804905 A	05-11-1997
		ES 2074406 T	16-09-1995
		GR 98300008 T	31-03-1998
		HU 68240 A	28-06-1995
		JP 2501389 B	29-05-1996
		JP 5500322 T	28-01-1993
		WO 9113592 A	19-09-1991
		US 5540680 A	30-07-1996
		US 5569245 A	29-10-1996
US 5354295 A	11-10-1994		

